



GENERAL BUILDING-AUTHORITY
TEST CERTIFICATE (ABP) - EXTENSION

EASY GLASS[®] PRIME

TOP MONTAGE	MOD.8410
F MONTAGE	MOD.8420
FASCIA MONTAGE	MOD.8430
Y MONTAGE	MOD.8440

Notification of the change of the General building-authority test certificate: P-2018-3056

Applicant: **Q-railing Europe GmbH & Co. KG**
Marie-Curie-Straße 8 - 14
46446 Emmerich am Rhein

The provisions of the general building authority test certificate are amended and supplemented as follows.

Chapter **2.1.1 Mounting** should be changed as follows:

The glazing is mounted linearly at the lower horizontal glass edge. The admissible mounting profiles are presented in appendices 1 to 4. The clamping of the glass is achieved by inserting plastic wedges.

The aluminium profiles are fixed on reinforced concrete using chemical anchors from Q-railing (Q VMZ-IG M12) or mechanical anchors (Q SZ-S12), or attached at steel constructions using M12 screws.

At the upper edge of the glass, the panels are connected with a continuous handrail profile. The profile must fulfil the specifications for static dimensioning according to DIN 18008-4, section 6.1.

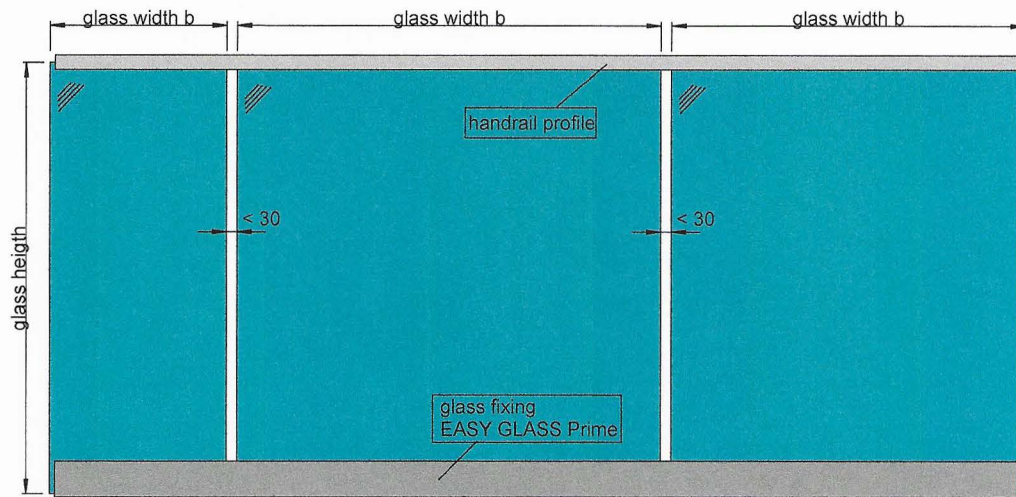
As an alternative to the attached profile, the handrail can also be attached at points as shown in Appendix 5.

Chapter **3.1 Area of application** should be changed as follows:

The general building-authority test certificate is valid for the design described in section 2. The glazing has a barrier function according to category B. The admissible dimensions for the corresponding installation situation are specified in the following tables and figures.



straight installation:

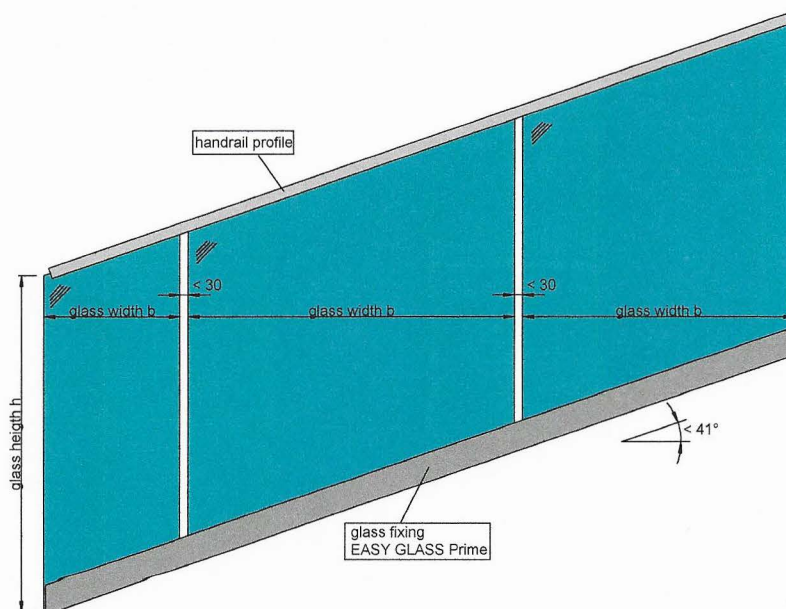


The following dimensions were proven in tests:

Table 1: admissible dimensions for straight installation

	glass built up	Glasswidth b [mm]		Glassheight [mm]
		min	max	max
1	2 x 8 mm ESG	500	any	1600
2	2 x 10 mm ESG	500	any	1800
3	2 x 10 mm ESG	800	any	2000
4	2 x 12 mm ESG	500	any	1800
5	2 x 12 mm ESG	800	any	2000
6	2 x 8 mm TVG	500	any	1200
7	2 x 10 mm TVG	500	any	1200

Deviations from rectangular shape (flight of stairs):

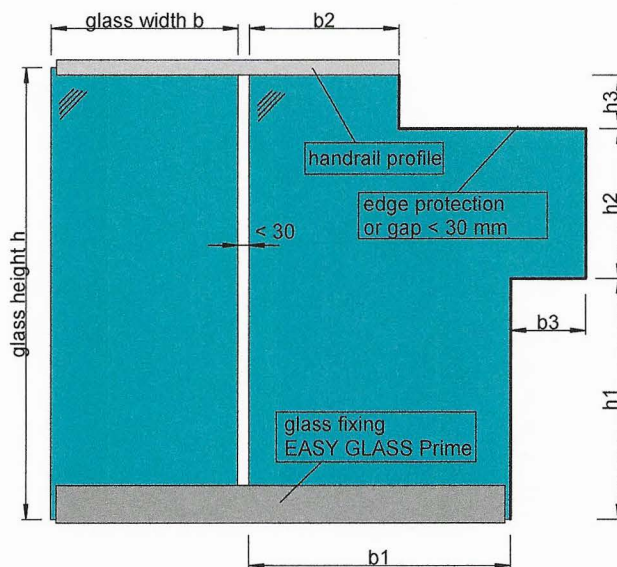


The following dimensions were proven in tests:

Table 2: admissible dimensions for a flight of stairs

	glass built up	Glasswidth b [mm]		Glassheight [mm]
		min	max	max
1	2 x 8 mm ESG	500	any	1600
2	2 x 10 mm ESG	500	any	1800
3	2 x 10 mm ESG	800	any	2000
4	2 x 12 mm ESG	500	any	1800
5	2 x 12 mm ESG	800	any	2000
6	2 x 8 mm TVG	500	any	1200
7	2 x 10 mm TVG	500	any	1200

Model panel:



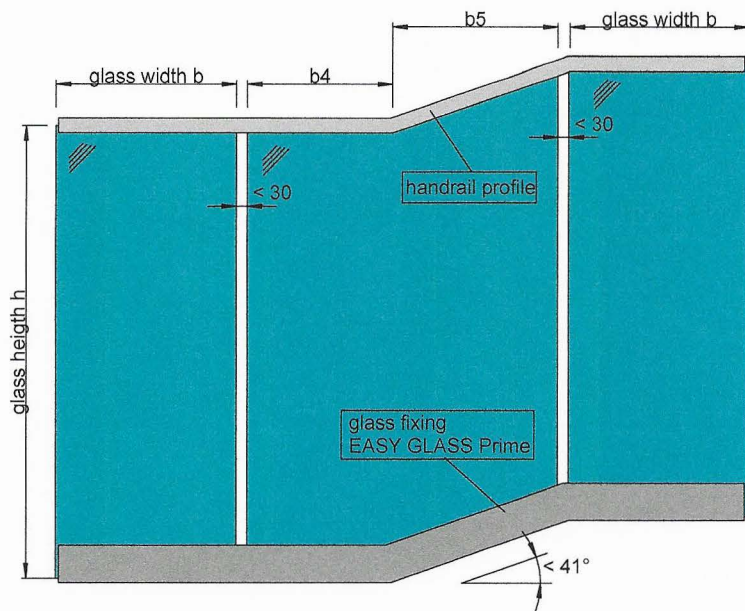
The following dimensions were proven in tests:

Table 3: admissible dimensions for a model panel

	glass built up	b1 [mm]		b2 [mm]		b3 [mm] max	Glassheight [mm]	h1 [mm]	h2 [mm]	h3 [mm] max
		min	max	min	max		max			
1	2 x 8 mm ESG	700	any	400	b1 + b3	200	1250	any	any	300
2	2 x 10 mm ESG	700	any	400	b1 + b3	200	1250	any	any	300
3	2 x 12 mm ESG	700	any	400	b1 + b3	200	1250	any	any	300



Transition panel:



The following dimensions were proven in tests:

Table 4: admissible dimensions for a transition panel

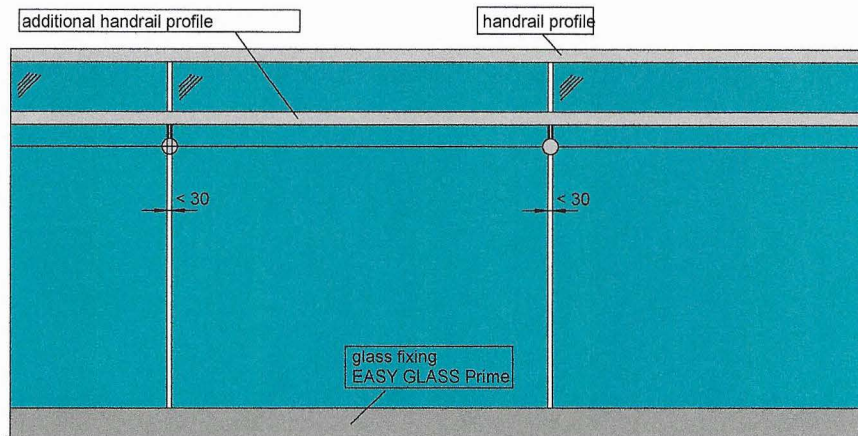
	glass built up	b4 [mm]		b5 [mm]		glass height [mm]
		min	max	min	max	max
1	2 x 8 mm ESG	400	any	460	any	1200
2	2 x 10 mm ESG	400	any	460	any	1200
3	2 x 12 mm ESG	400	any	460	any	1200

Other constructive specifications:

- At least 2 panels with the smallest glass width must always be installed.
- If the handrail is anchored at the end, the glass barrier may also consist of one panel.
- The specifications of Q-railing must be observed for the arrangement of the plastic wedges
- An additional, constructive handrail can be used, which is attached in the gaps between the panels using clamp holders (see following figure).



Additional, constructive handrail



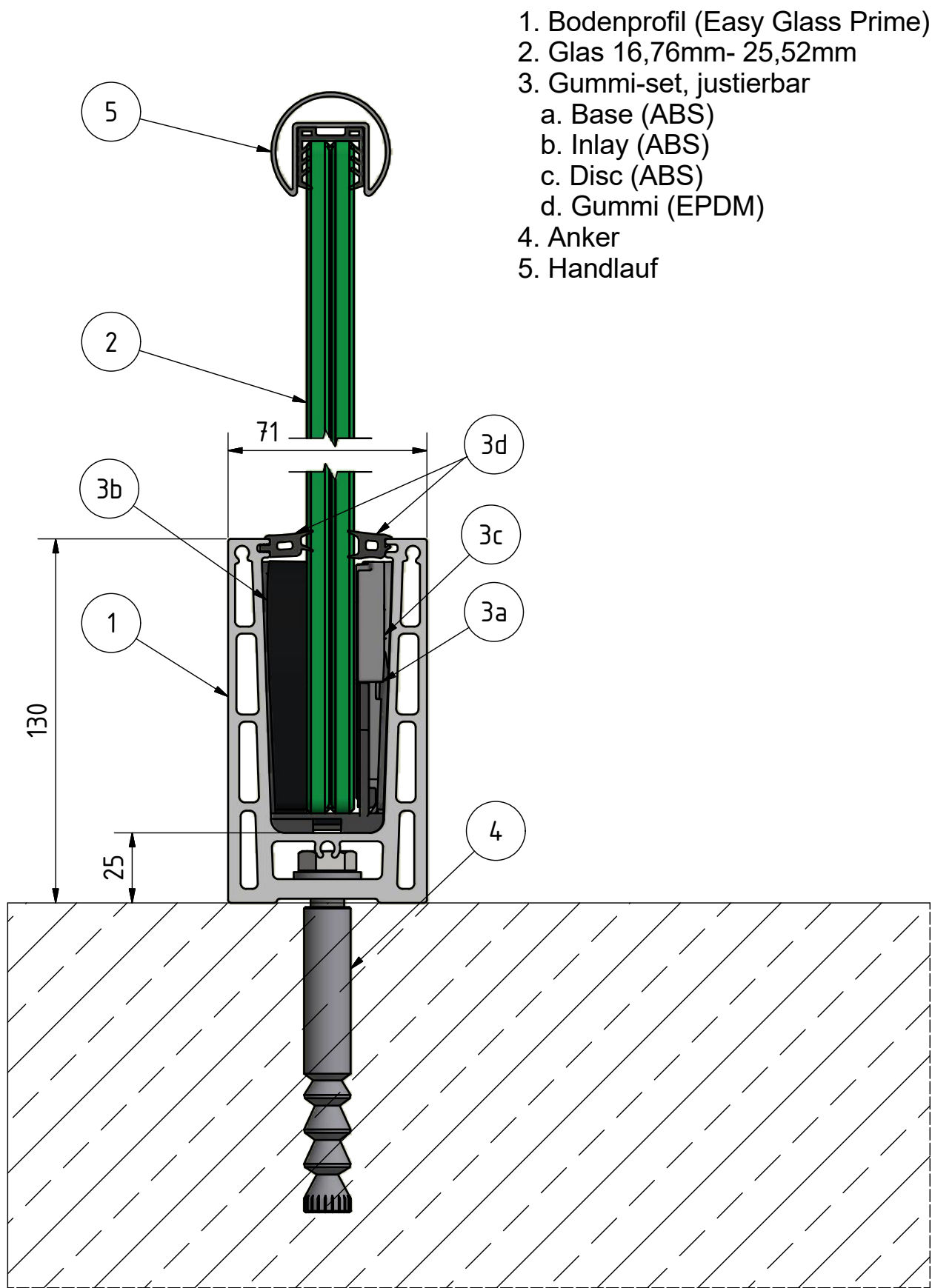
This notification comprises 5 pages and 5 attachments.

München, 04.02.2021

For management and administration



Dipl.-Ing. (FH) A. Lorenz



SYSTEM: 2017-193
MODELL: Easy Glass Prime
BESCHREIBUNG: Bodenmontage

GEZEICHNET: AIG
 DATUM: 19.07.2018
 ZEICHNUNGS NR.: Assembly_Top

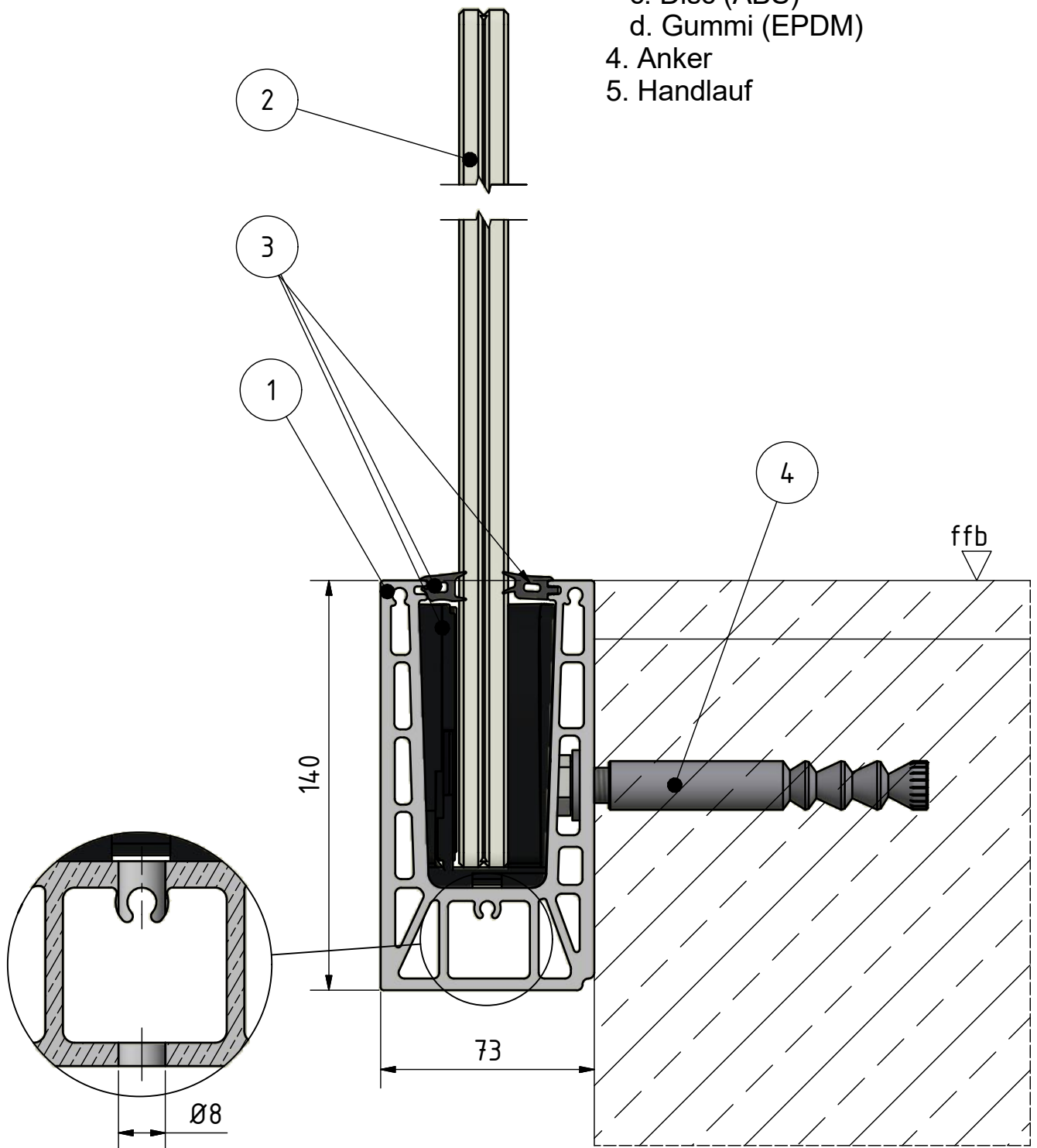
Diese Detailzeichnung gilt nur zur Orientierung. Die ausführende Firma bleibt verantwortlich für die fachgerechte Montage nach landesspezifischen Vorschriften und Richtlinien. Für weiteren Service nehmen Sie bitte Kontakt mit Ihrer nächstgelegenen Q-railing Niederlassung auf.

© Q-railing Europe GmbH & Co. KG

THE PREMIUM BRAND IN RAILING SYSTEMS | WWW.Q-RAILING.COM

Q-railing

1. Bodenprofil (Easy Glass Prime)
2. Glas 16,76mm- 25,52mm
3. Gummi-set, justierbar
 - a. Base (ABS)
 - b. Inlay (ABS)
 - c. Disc (ABS)
 - d. Gummi (EPDM)
4. Anker
5. Handlauf



SYSTEM: 2018-199
MODELL: Easy Glass Prime
BESCHREIBUNG: Bodenmontage

GEZEICHNET: AIG
 DATUM: 22.10.2018
 ZEICHNUNGS NR.: Assembly_Fascia

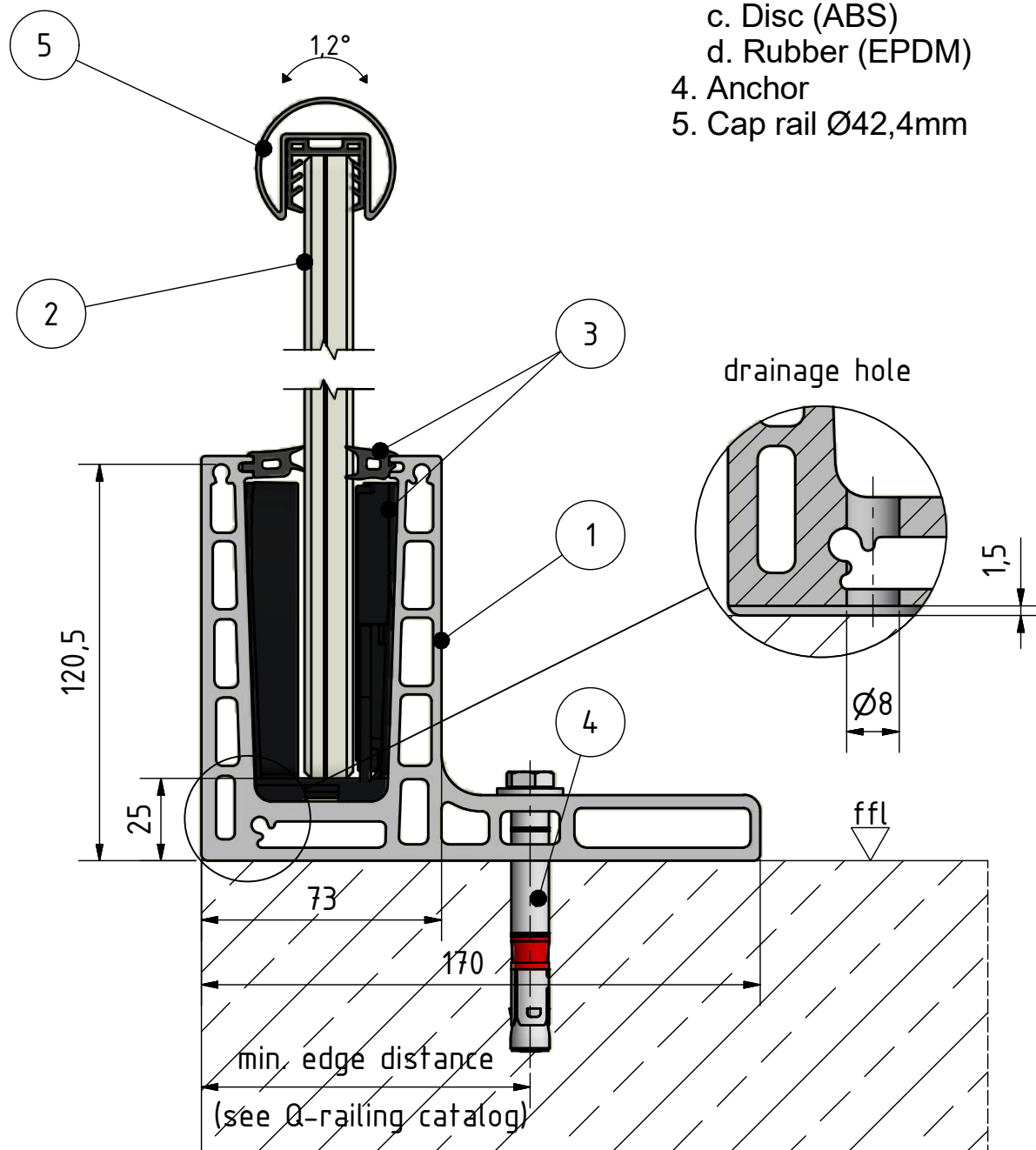
Diese Detailzeichnung gilt nur zur Orientierung. Die ausführende Firma bleibt verantwortlich für die fachgerechte Montage nach landesspezifischen Vorschriften und Richtlinien. Für weiteren Service nehmen Sie bitte Kontakt mit Ihrer nächstgelegenen Q-railing Niederlassung auf.

© Q-railing Europe GmbH & Co. KG

THE PREMIUM BRAND IN RAILING SYSTEMS | WWW.Q-RAILING.COM

Q-railing

1. F-Profile Easy Glass Prime
2. Glass 16,76-25,52mm
3. Rubber-Set, adjustable
 - a. Base (ABS)
 - b. Inlay (ABS)
 - c. Disc (ABS)
 - d. Rubber (EPDM)
4. Anchor
5. Cap rail Ø42,4mm



SYSTEM: EASY GLASS PRIME
MODEL: 6962
DESCRIPTION: Top mount F

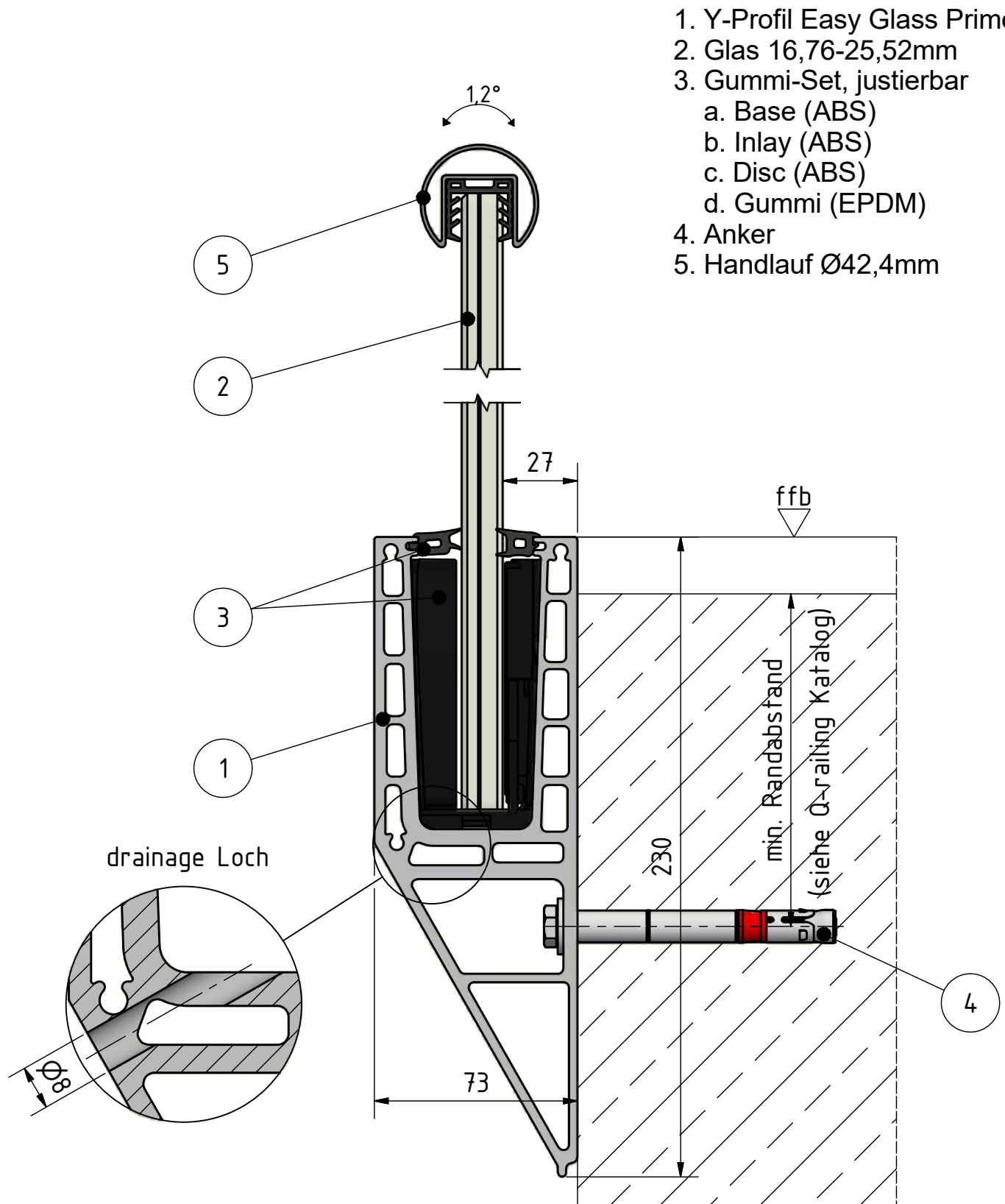
DRAWN: LMR
DATE: 25.09.2019
DRAWING NO.: 6962-001

This detail drawing is for reference purposes only. The installer must check the specifications and details with the local situation and regulations. For further advice and service please contact your nearest Q-railing office.

© Q-railing Europe GmbH & Co. KG

THE PREMIUM BRAND IN RAILING SYSTEMS | WWW.Q-RAILING.COM





SYSTEM: Easy Glass Prime
MODELL: 6963
BESCHREIBUNG: Fascia mount Y

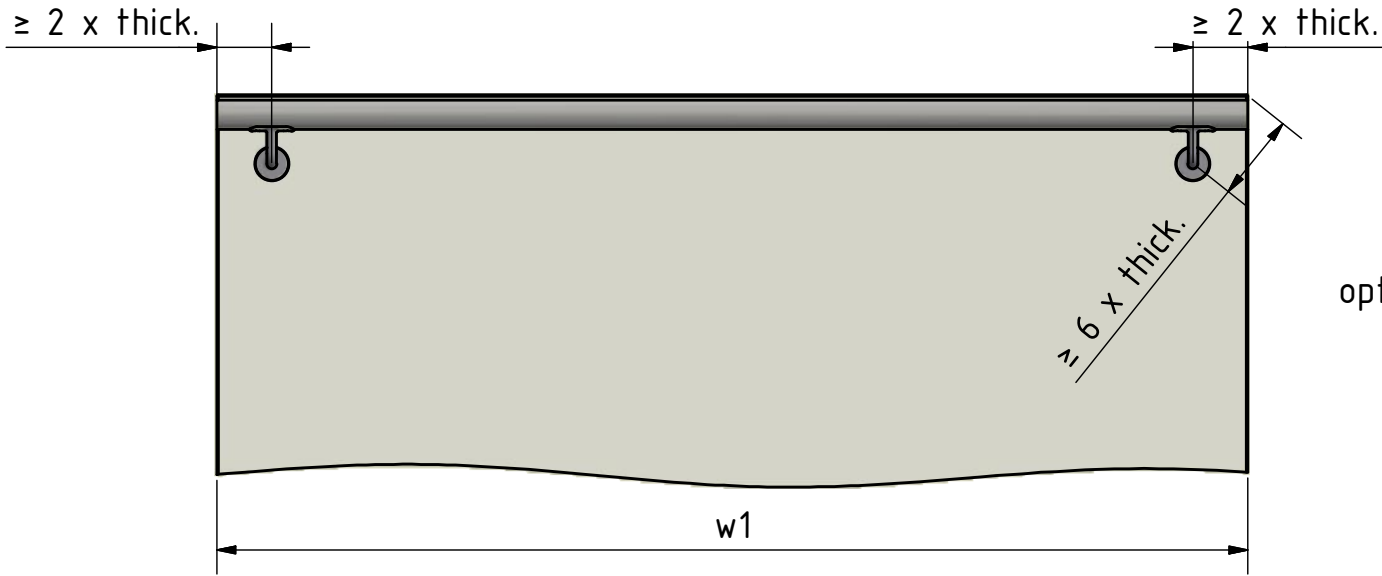
GEZEICHNET: LMR
 DATUM: 26.09.2019
 ZEICHNUNGS NR.: 6963-001

Diese Detailzeichnung gilt nur zur Orientierung. Die ausführende Firma bleibt verantwortlich für die fachgerechte Montage nach landesspezifischen Vorschriften und Richtlinien. Für weiteren Service nehmen Sie bitte Kontakt mit Ihrer nächstgelegenen Q-railing Niederlassung auf.

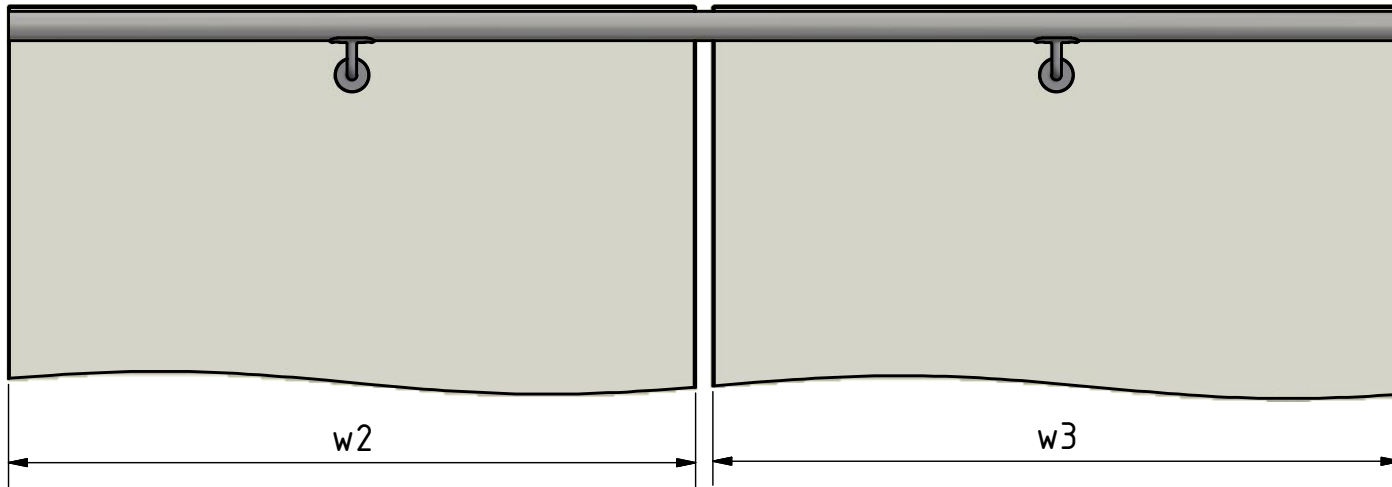
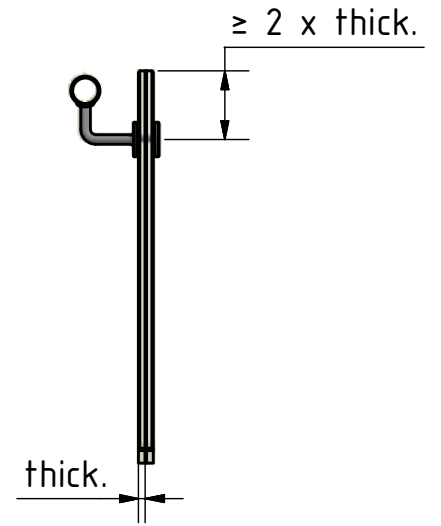
© Q-railing Europe GmbH & Co. KG

THE PREMIUM BRAND IN RAILING SYSTEMS | WWW.Q-RAILING.COM

Q-railing



option 1



option 2

Anlage 3

		Scale: 1 : 11	Weight: N/A		Rev.No.: 0
		Material:			
Finish:					Product line:
<small>THIS DRAWING IS PROPERTY OF Q-RAILING EUROPE GmbH & Co KG. ALL RIGHTS RESERVED. It may not be submitted for perusal to third parties, either whole nor partly, unless granted. It is not permitted to alter this drawing unauthorised, in any way.</small>					Description:
Drawn	Date	Name		Description:	
Checked	04.07.2019	chx			
General tolerance according					Drawing no.: handrail_fixed_in_glass_op Project: / / Sheet: 1 / 1 A4

1			
REV	DESCRIPTION	DRAWN	DATE



GOOD LUCK WITH
YOUR INSTALLATION!

VIEL ERFOLG MIT
IHRER MONTAGE!

SUCCES MET
DE INSTALLATIE!